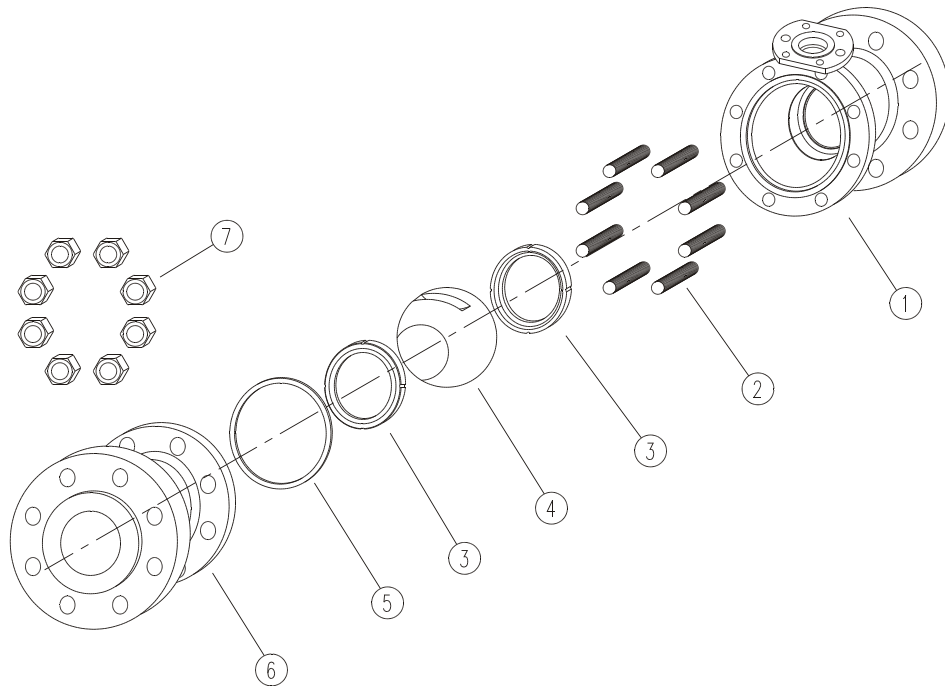
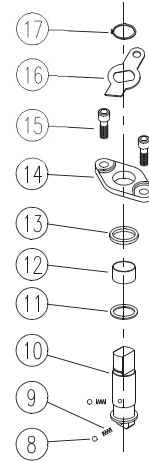


1	Body
2	Stud
3	Seat
4	Ball
5	Anti-fire Gasket
6	Bonnet
7	Hexagon Nut
8	Anti-static Ball
9	Anti-static Spring
10	Stem
11	Sliding Washer
12	Stem Bearing
13	Packing
14	Packing Gland
15	Hexagon Screw
16	Stopper
17	Elastic Back Ring

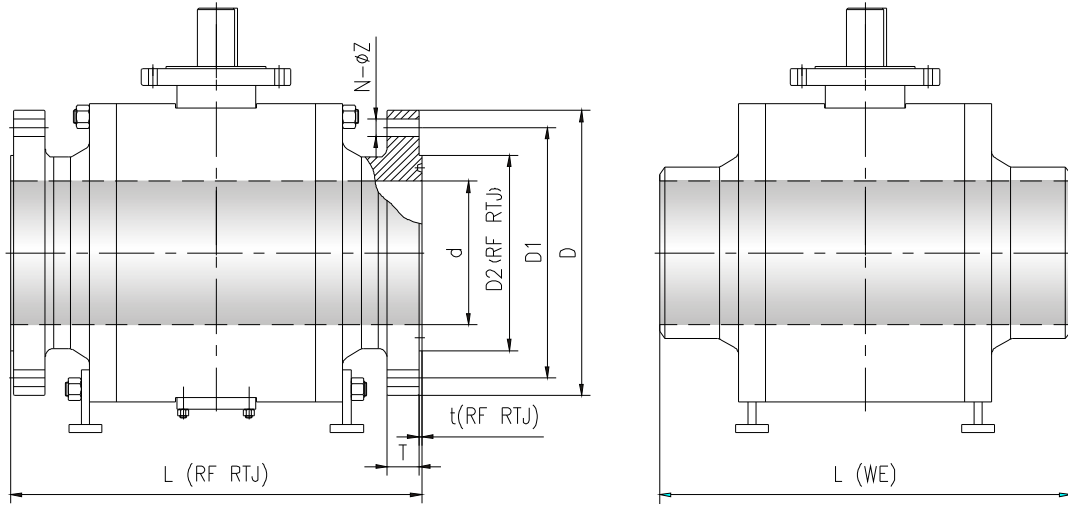


Main Materials

Part Name	A	B	C	D	E	F
Body	WCB	WCB	WCB	CF8	CF8M	LCC
Ball	A105+ENP	F304	F316	F304	F316	LF2+ENP
Stem	A105+ENP	F304	F316	F304	F316	LF2+ENP
Stud	B7M	B7M	B7M	B8M	B8M	L7
Nut	2HM	2HM	2HM	8M	8M	7M
Seat	PTFE/PPL/NYLON/DEVLON					
O Ring	VITON					
Packing	GRAPHITE/PTFE					
Anti-fire Gasket	304+GRAPHITE					



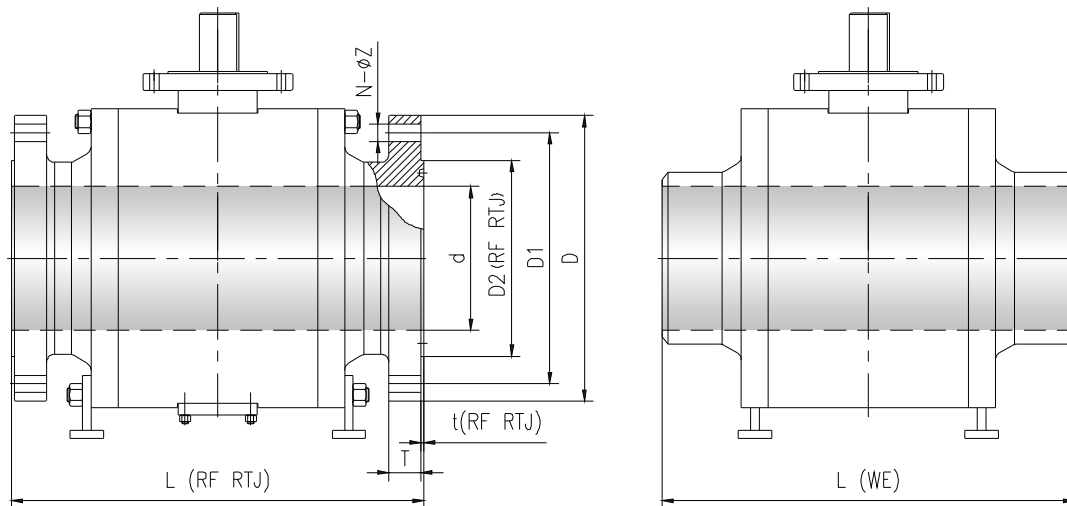
**ANSI Class 150
285 psi**



Nominal Size		(RF)								(RTJ)				(BW)
DN	NPS	d	L(RF)	D	D1	D2(RF)	T	t(RF)	N-φZ	L(RTJ)	D2(RTJ)	t(RTJ)	R	L(WE)
25	1	25	127	110	79.5	51	11	2.0	4-φ15	140	64	6.4	R15	165
32	1 1/4	32	140	115	89	64	11	2.0	4-φ15	153	73	6.4	R17	178
40	1 1/2	38	165	125	98.5	73	13	2.0	4-φ15	178	83	6.4	R19	190
50	2	49	178	150	120.5	92	14	2.0	4-φ19	191	102	6.4	R22	216
65	2 1/2	62	191	180	139.5	105	16	2.0	4-φ19	203	121	6.4	R25	241
80	3	74	203	190	152.5	127	17	2.0	4-φ19	216	133	6.4	R29	283
100	4	100	229	230	190.5	157	22	2.0	8-φ19	241	171	6.4	R36	305
150	6	150	394	280	241.5	216	24	2.0	8-φ22	406	219	6.4	R43	457
200	8	201	457	345	298.5	270	27	2.0	8-φ22	470	273	6.4	R48	521
250	10	252	533	405	362	324	29	2.0	12-φ25	546	330	6.4	R52	559



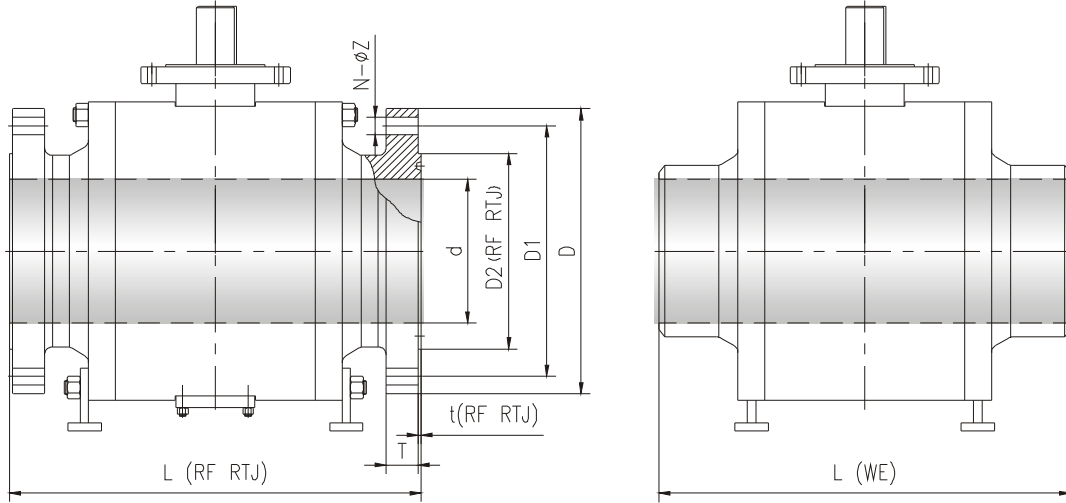
ANSI Class 300
740 psi



Nominal Size		(RF)								(RTJ)				(BW)
DN	NPS	d	L(RF)	D	D1	D2(RF)	T	t(RF)	N-φZ	L(RTJ)	D2(RTJ)	t(RTJ)	R	L(WE)
25	1	25	165	125	89	51	16	2.0	4-φ19	178	70	6.4	R16	165
32	1¼	32	178	135	98.5	64	17	2.0	4-φ19	191	79	6.4	R18	178
40	1½	38	190	155	114.5	73	19	2.0	4-φ22	203	90	6.4	R20	190
50	2	49	216	165	127	92	21	2.0	8-φ19	232	108	8	R23	216
65	2½	62	241	190	149	105	24	2.0	8-φ22	257	127	8	R26	241
80	3	74	283	210	168.5	127	27	2.0	8-φ22	298	146	8	R31	283
100	4	100	305	255	200	157	30	2.0	8-φ22	321	175	8	R37	305
150	6	150	403	320	270	216	35	2.0	12-φ22	419	241	8	R45	403
200	8	201	502	380	330	270	40	2.0	12-φ25	518	302	8	R49	521
250	10	252	568	445	387.5	324	46	2.0	16-φ28.5	584	356	8	R53	559



ANSI Class 600
1480 psi



Nominal Size		(RF)								(RTJ)				(BW)
DN	NPS	d	L(RF)	D	D1	D2(RF)	T	t(RF)	N-φZ	L(RTJ)	D2(RTJ)	t(RTJ)	R	L(WE)
25	1	25	216	125	89	51	18	7.0	4-φ19	216	70	6.4	R16	216
32	1 1/4	32	229	135	98.5	64	21	7.0	4-φ19	229	79	6.4	R18	229
40	1 1/2	38	241	155	114.5	73	23	7.0	4-φ22	241	90	6.4	R20	241
50	2	49	292	165	127	92	26	7.0	8-φ19	295	108	8	R23	292
65	2 1/2	62	330	190	149	105	29	7.0	8-φ22	333	127	8	R26	330
80	3	74	356	210	168.5	127	32	7.0	8-φ22	359	146	8	R31	356
100	4	100	432	275	216	157	38	7.0	8-φ25	435	175	8	R37	432